

EW135G2

Wireless | Systems

Kit Includes:

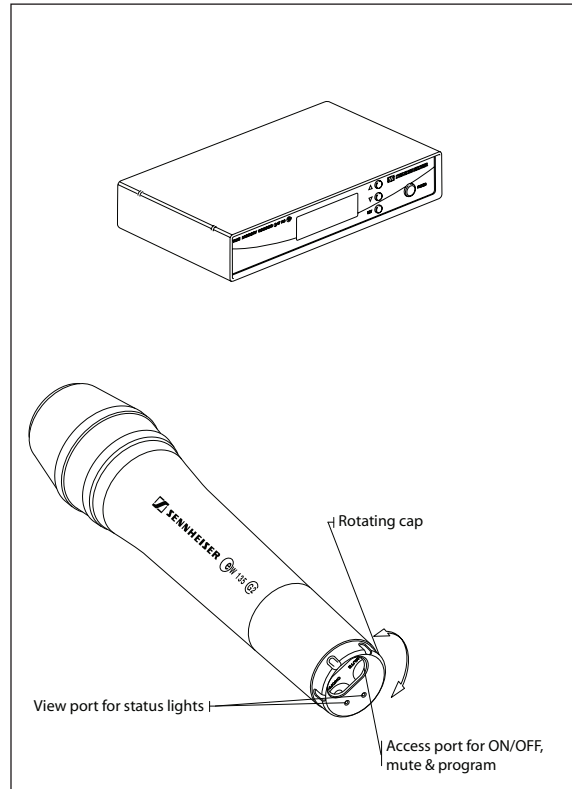
- 1 EM100G2 rack-mount receiver
- 1 SKM135 hand held microphone (cardioid pick-up pattern)
- 1 NTEW-120 power supply unit
- 2 telescopic antennas
- 2 AA batteries
- Operating instructions

General Description

This system is ideal for vocal applications. The SKM135 handheld as well as the EM100G2 rack-mount receiver feature 9 frequency banks with 4 frequency presets each for direct channel selection and are ready for immediate use.

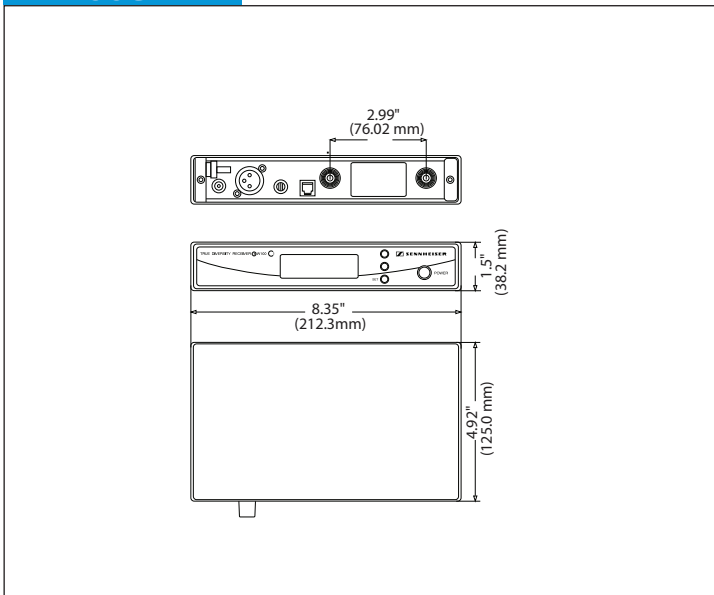
Features

- 1,440 tunable UHF frequencies for interference-free reception
- Absolutely reliable transmission and extended range due to high RF output power
- High-quality true diversity reception
- Pilot tone squelch for eliminating RF interference when transmitter is turned off
- Automatic frequency scan feature searches for available frequencies
- Transmitter and receiver with rugged metal housings
- Receiver features user-friendly menu operation via backlit display
- Lock function avoids accidental changing of settings
- HDX compander for crystal-clear sound
- Transmitter and receiver feature "Low Battery" indicators
- Mute function for the transmitter
- Wide range of accessories adapts the system to any requirement



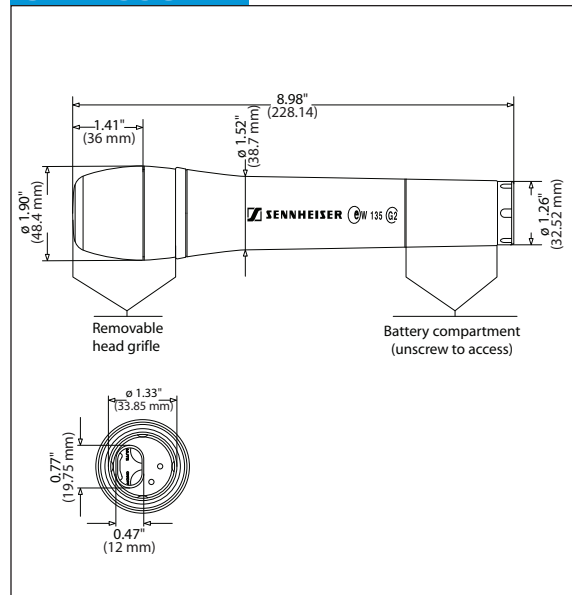
EM100G2, SKM135G2

EM100G2



EM100G2—Rack mountable diversity receiver. Auto scan feature.

SKM135G2



SKM135G2—Hand-held transmitter with 30mw output power. MD835 cardioid dynamic capsule.

* Illustrations do not show NTEW-120 or antennas

Architects Specifications

The wireless microphone system shall feature a true-diversity receiver with 36 MHz of available tuning bandwidth with a total of 1,440 frequencies accessible in 25 kHz steps. The wireless microphone receiver must feature one Balanced XLR output with a max. output of +18 dBu, and one unbalanced 1/4" output with a max. output of +12 dBu. The wireless microphone receiver must feature two BNC antenna inputs, one for each receiver module in the true diversity system. The wireless microphone receiver must feature a backlit display that displays AF and RF levels, battery telemetry from the transmitter, operating frequency, and diversity switching information. The wireless microphone receiver must feature an automatic frequency scanning function that utilizes eight banks of pre-coordinated frequencies that are free of intermodulation interference. The wireless microphone receiver must also feature a user bank in order to store user defined frequencies. The wireless microphone transmitter must operate on two 1.5V AA battery cells. The wireless microphone transmitter must have access to 1,440 frequencies tuned in 25 kHz steps across a defined 36 MHz bandwidth. The wireless microphone transmitter must feature a backlit display that displays frequency information, AF level, battery level. The wireless microphone transmitter must transmit a pilot-tone squelch. The wireless microphone transmitter must have a specified RF output power of 30mW.

Limited Product Warranty/Service

Sennheiser Electronic Corporation extends the following limited product warranty for Sennheiser products:

The warranty period for all covered Sennheiser products is two years from the date of purchase. Not covered by this warranty are accessories and other consumables; for example, items of wear and tear, such as cables. During the warranty period, Sennheiser Electronic Corporation warrants that the Sennheiser equipment will be free from defects in materials and workmanship used in making the product. Abnormal conditions, deliberate abuse and damage due to accidents, operator's error, or unauthorized service attempts are excluded from any warranty claims.

Under this warranty, Sennheiser Electronic Corporation will repair, or at its option, replace free of charge the covered defective Sennheiser product, provided it is returned (postage paid, with proof of purchase from the original seller) to a Sennheiser Service Facility. Products should be returned in their original package, or otherwise suitably protected to avoid shipping damage. Either product registration or a valid, dated proof of purchase is accepted to establish the warranty period. The Sennheiser Service Department will be the sole authority to determine the validity of all warranty issues.

This Limited Product Warranty is Sennheiser Electronic Corporation's only warranty, and the customer's only remedy concerning Sennheiser products. All other representations and warranties, express or implied, written or oral, including, but not limited to, any warranties of merchantability, fitness for a particular purpose, or non-infringement, are expressly excluded. As a result, except as set forth in the previous paragraphs, the product is sold "as-is" and the customer is assuming the entire risk as to the product's suitability for his needs, its quality and its performance.

In no event will Sennheiser Electronic Corporation be liable for direct, indirect, special, incidental or consequential damages resulting from any defect in the product or from its use, even if advised of the possibility of such damages.