

Canon

YJ19x9B KRS

YJ19x9B IRS

Industry Standard **IFpro** ~~SHUTTLE~~SHOT



YJ19x9B KRS

IF pro
SHUTTLE SHOT

YJ19x9B IRS (Built-in 2x extender)

Canon has improved Pro-Video Industry Standard lens with improved optical quality and faster zoom speed (1.7 second from wide to tele) and “Shuttle Shot” function.

IF TECHNOLOGY

Now Pro-Video camera people can take advantage of the breakthrough technology broadcasters have enjoyed for years—Internal Focus(IF).

Internal Focus technology was pioneered by Canon and first introduced into their Broadcast ENG lenses. It has since become the industry-standard. Internal Focus is a system where the front end of the lens remains stationary and does not rotate. Only internal elements move when focusing.

Internal Focus enhances optical performance and provides several user benefits :

- IF improves chromatic aberrations, thus increasing resolution.
- IF is not sensitive to changes in object distances.
- IF decreases flare by use of a square hood.
- IF enables a higher level of creative filter work.
- Even heavy optical accessories attached at the front of the Lens does not affect the focusing operation.

Until today, because of the intricate optical design and complicated mechanical structure, Internal Focus had only been used in Broadcast ENG lenses. By overcoming these challenges, Canon is proud to announce the world's first Pro-Video zoom lens with IF technology : IFpro—Internal Focus for the Pro-Video market.



SHUTTLE SHOT TECHNOLOGY

SHUTTLE SHOT

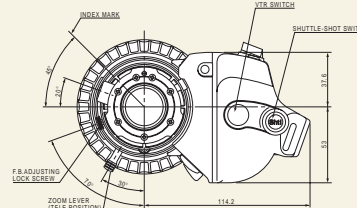
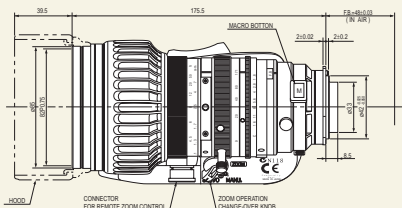
Pro Video's Most Popular Lens Now Zooms Back And Forth Between Any Two Positions, At The Touch Of A Button.



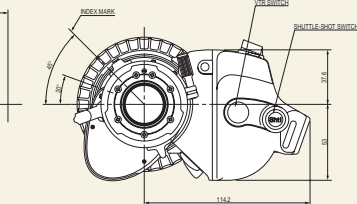
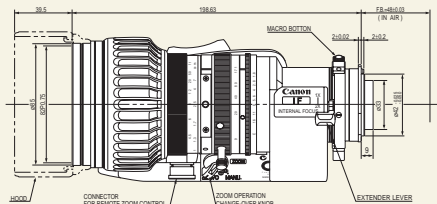
Shuttle Shot is a Canon Exclusive Technology that enhances production capabilities. At the touch of a button, this feature allows the operator to zoom back and forth instantly between any two positions. It can be used to zoom to the telephoto position to check focus and then return instantly to the original position or you can “shuttle” between any two zoom positions at any time. Shuttle Shot adds even more to the Pro-Video standard lens.

DIMENSION:

YJ19x9B KRS



YJ19x9B IRS



● **Square Hood**

Eliminate ghosting and flare more effectively.

● **Creative Filter Work**

Filters attached to the front of the lens remain stationary even while focusing-thus re-indexing is not necessary.

● **Short Minimum Object Distance-0.9m**

● **Reduced Chromatic Aberrations**

Chromatic aberrations due to movement of the front elements are reduced and distortion is minimized

● **High and Flat MTF**

Increased resolution at the edges and corners of picture achieving higher MTF

● **Lightweight Design - 1.5kg (3.31lbs.)**

● **Quiet Servo Operation**

● **Ergonomically Designed Grip**

Canon's original "Ergonomic Grip" is Specially designed to provide users with hours of fatigue-free shooting.

● **Specially Developed Protein Paint**

Exclusively engineered to absorb moisture while enhancing the feel of the lens.

● **System-Matched Coloring**

Easily integrates with all cameras.

● **Built-in 2x Extender**

Maximum focal length of 324mm

● **Longest Zoom Ratio-19x**

The First IFpro video lens features the longest zoom ratio in its class.

● **Wide Angular Field of View -52.1° x 40.3°**

● **Rubber Grip On Focus Ring**

Provides user-friendly design of the focusing operation

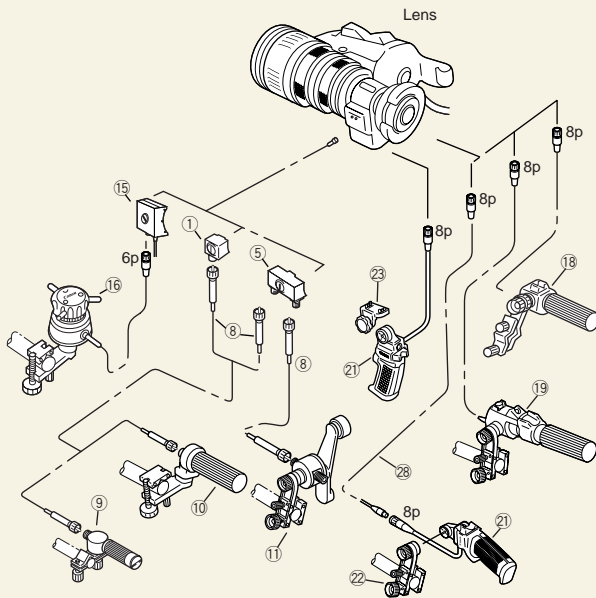
SPECIFICATIONS:

LENS	YJ19x9B KRS	YJ19x9B IRS
Image Format Covered	2/3 "	
Zoom Ratio/Format	19:1	
Range of Focal Length	9-171mm	9-171mm 18-342mm (2.0X)
Maximum Focal Aperture	1:1.8 at 9-114mm 1:2.7 at 171mm	1:1.8 at 9-114mm 1:2.7 at 171mm 1:3.6 at 18-228mm (2.0X) 1:5.4 at 342mm (2.0X)
Angular Field of View (degrees)	W 52.1 x 40.3 T 2.97 x 2.22	W 52.1 x 40.3 T 2.97 x 2.22 W 27.5 x 20.8 (2.0X) T 1.41 x 1.11 (2.0X)
M.O.D.	0.9m	
Object Dimentions at M.O.D.	W 78.9 x 59.2 T 4.3 x 3.2	W 78.9 x 59.2 T 4.3 x 3.2 W 39.5 x 29.6 (2.0X) T 2.2 x 1.6 (2.0X)
Size (W x H x L)	139.8 x 99.5 x 175.5mm	139.8 x 99.5 x 198.8mm
Weight	1.33kg	1.53kg



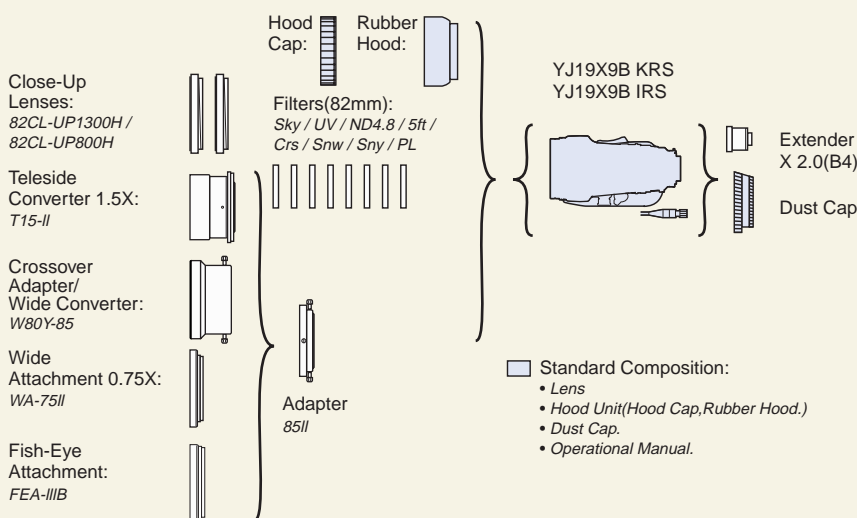
**2X
EXTENDER**

LENS CONTROLLERS



#	Unit	Description	CODE
①	FM-12	Flex Focus Module	1824A012
⑤	FM-70	Flex Dual Module	0002T071
⑧	FC-40	Flex Cable	1824A010
⑨	FFC-15	Flex Focus Controller	1824A024
⑩	FFC-200	Flex Focus Controller	1824A014
⑪	FZC-100	Flex Zoom Controller	1824A021
⑮	FPM-77	Focus Positional Servo Module	1824A020
⑯	FPD-400	Focus Positional Demand	1824A018
⑱	ZSD-15A II / M II	Zoom Demand	A 1824A070 M 1824A071
⑲	ZSD-300A/M	Zoom Demand	A 1824A066 M 1824A067
⑳	ZSG-200A/M	Zoom Servo Grip	A 1824A068 M 1824A069
㉑	CR-10	Clamper	1824A007
㉒	GA-70	Grip Adapter	0018T531
㉓	EC-80	Zoom Extension Cable (8P)	1824A009

OPTICAL ACCESSORIES



ITEM (FILTER)	MODEL
Ultra Violet	UV / 82mm
Skylight	Sky / 82mm
ND4	ND4 / 82mm
ND8	ND8 / 82mm
Softon	Sft / 82mm
Cross Screen	Crs / 82mm
Snow Cross	Snw / 82mm
Sunny Cross	Sny / 82mm
Polarized	PL / 82mm

North & South America

Canon USA, Inc.
Broadcast and Communications Div. (Headquarters)
400 Sylvan Avenue Englewood Cliffs, NJ 07632
Tel: (201) 816-2900 / (800) 321-4388 Fax: (201) 816-2909
Email: bctv@cusa.canon.com
http://www.canonbroadcast.com/

Chicago

100 Park Blvd. Itasca, IL 60143
Tel: (630) 250-6231 Fax: (630) 250-0399

Atlanta

5625 Oakbrook Pkwy. Norcross, GA 30093
Tel: (770) 849-7895 Fax: (770) 849-7888

Los Angeles

15955 Alton Parkway Irvine, CA 92718
Tel: (949) 753-4330 Fax: (949) 753-4337

Dallas

3200 Regent Blvd. Irving, TX 75063
Tel: (972) 409-8871 Fax: (972) 409-8879

Latin America

Tel: (954) 349-6975 Fax: (201) 816-2909

Canada

Canon Canada, Inc.
Optics Division 6390 Dixie Road Mississauga, Ontario
Canada, L5T 1P7 Tel: (905) 795-2012 Fax: (905) 795-2140

Europe/Africa/Middle East

The Netherlands Headquarters

Canon Europa N.V.
Broadcast and Communications Div.
Bovenkerkerweg 59-61
1185 XB Amstelveen
Tel: +31(0)20-5458905 Fax: +31(0)20-5458203
Email: tvprod@canon-europa.com
http://www.canon-europa.com/tv-products

Australia

Canon Australia Pty. Ltd.
Optical Products Division
1 Thomas Holt Drive, North Ryde, NSW 2113
Tel: +61(0)2-9805-2000 Fax: +61(0)2-9805-2444

Asia

Canon Singapore Pte. Ltd / Broadcast
Equipment Dept.
79 Anson Road #09-01/06 Singapore 079906
Tel: +65 532-4400 Fax: +65 221-9018

Japan

Canon Inc. (Broadcast Equipment Group)
20-2, Kiyohara-Kogyo-Danchi, Utsunomiya-shi,
Tochigi-ken, 321-3292
Tel: +81(0)28-667-8669 Fax: +81(0)28-667-8672

http://www.canon.com/bctv

Specifications subject to change without notice